

ZONE		LTR		DESCRIPTION	DATE	APPROVED
1		ADVANCE ENGINEERING		RELEASE	11-02-84	DF/S
2		REVISED PER E-C-O		30106		

D

D

C

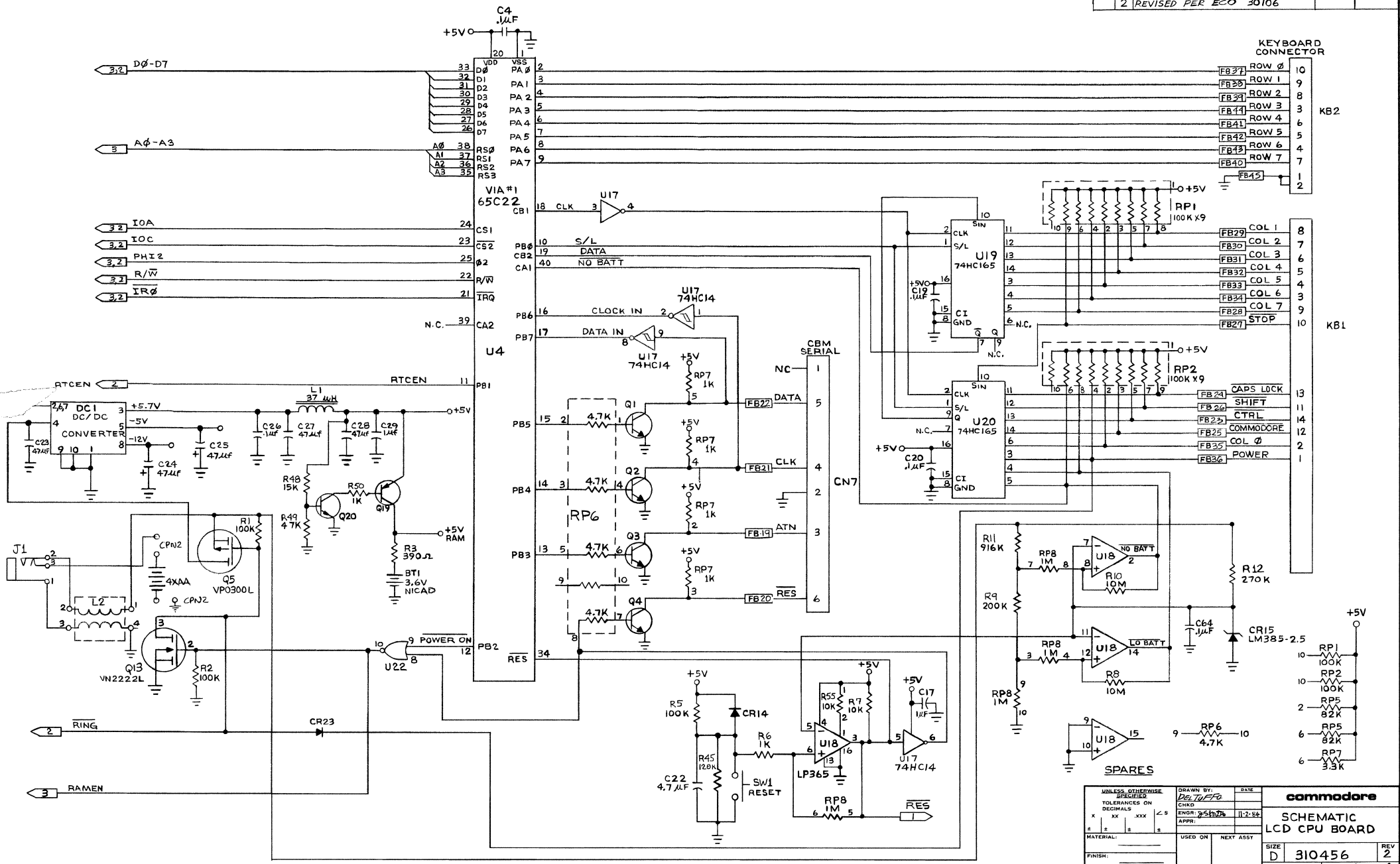
C

B

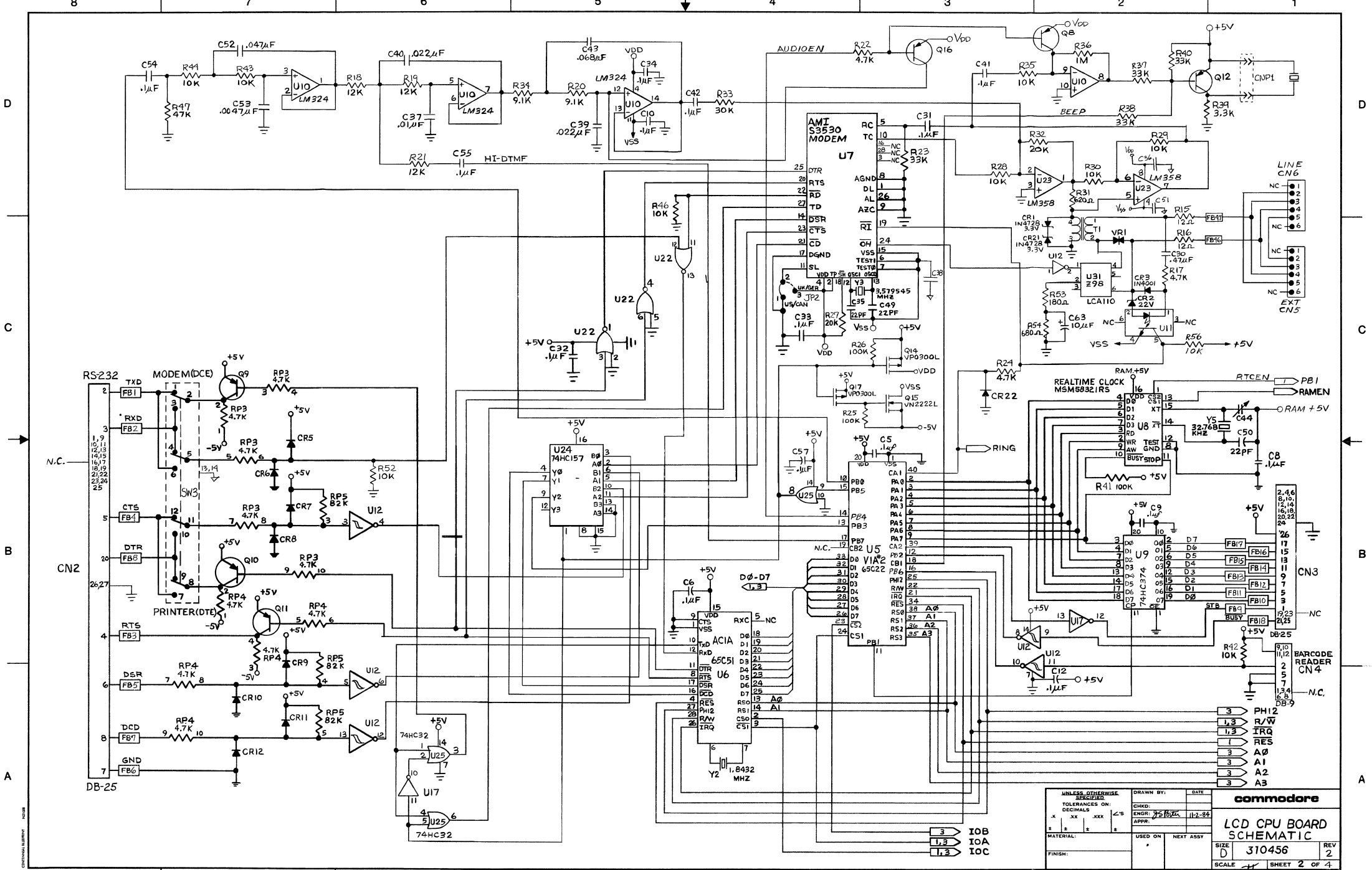
B

A

A



UNLESS OTHERWISE SPECIFIED		DRAWN BY: <i>Del Toffo</i>	DATE: <i>11-2-84</i>
TOLERANCES ON DECIMALS		ENGR: <i>5/10/76</i>	APPR: <i>[Signature]</i>
MATERIAL:		USED ON:	NEXT ASSY:
FINISH:		SIZE: D 310456 REV: 2	
		SCALE: <i>1/1</i> SHEET: 1 OF 4	



UNLESS OTHERWISE SPECIFIED		DRAWN BY:	DATE:
TOLERANCES ON:		CHKD:	
RESISTORS	DECIMALS	ENGR:	11-23
%.X	XX	APPR:	
MATERIAL:		USED ON:	NEXT ASSY:
FINISH:			

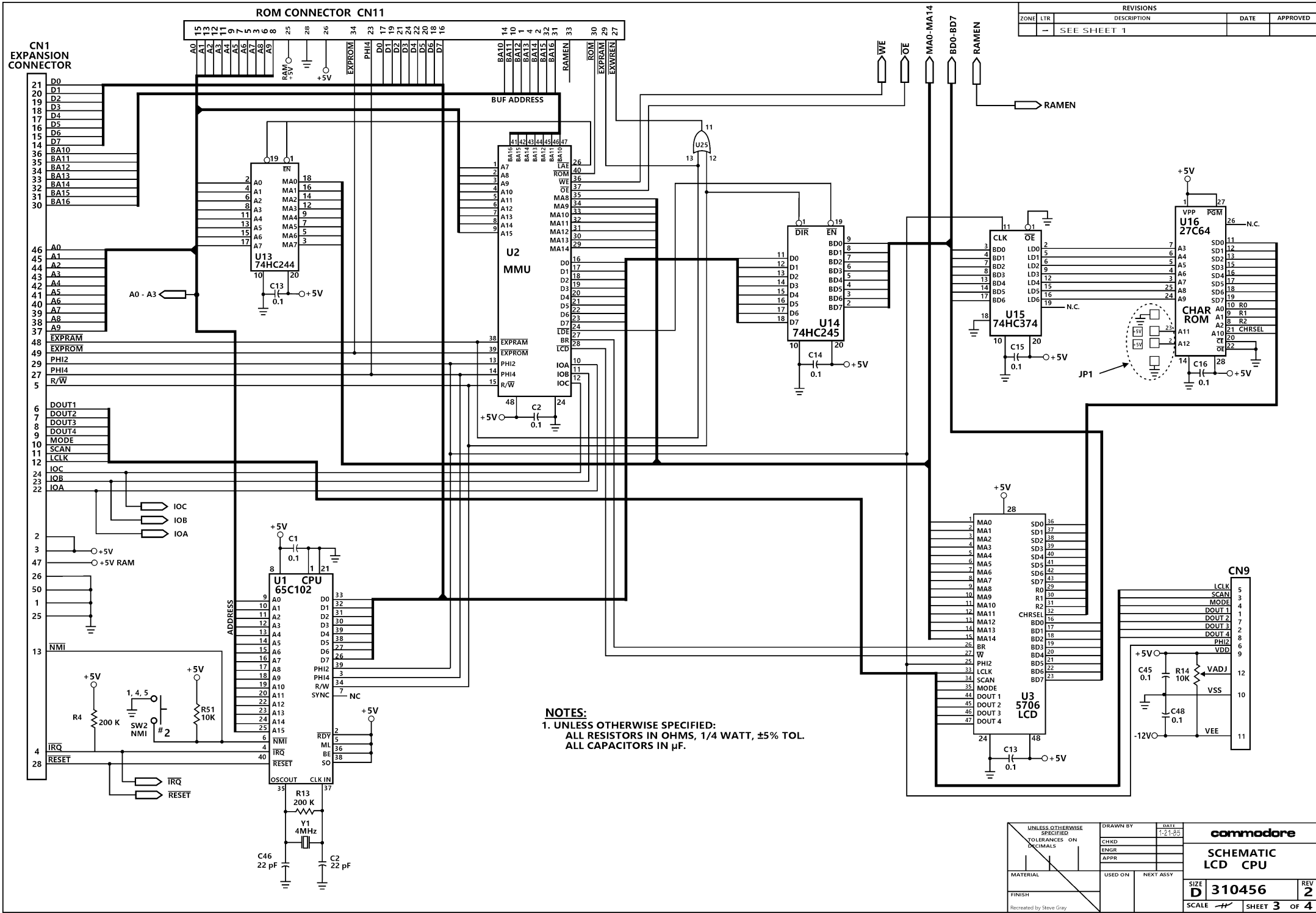
commodore

LCD CPU BOARD SCHEMATIC

SIZE: D 310456 REV: 2

SCALE: SHEET 2 OF 4

CENTRAL MURPHY



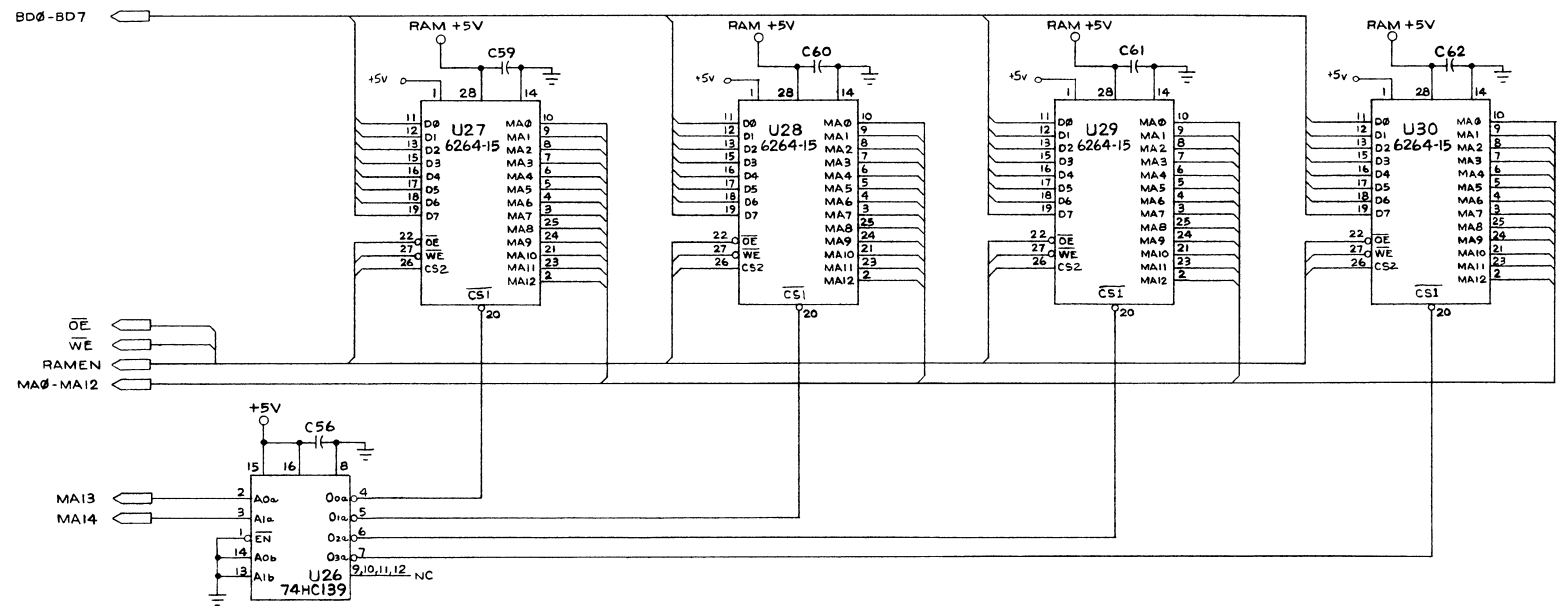
REVISIONS				
ZONE	LTR	DESCRIPTION	DATE	APPROVED
-	-	SEE SHEET 1		

NOTES:
 1. UNLESS OTHERWISE SPECIFIED:
 ALL RESISTORS IN OHMS, 1/4 WATT, ±5% TOL.
 ALL CAPACITORS IN µF.

UNLESS OTHERWISE SPECIFIED TOLERANCES ON DECIMALS	DRAWN BY	DATE	commodore
	CHKD	1-21-85	
MATERIAL	EMGR		SCHEMATIC LCD CPU
	APPR		
FINISH	USED ON	NEXT ASSY	REV 2
SCALE			D 310456
			SHEET 3 OF 4

Recreated by Steve Gray

REVISIONS		DATE	APPROVED
ZONE	LTR	DESCRIPTION	
-		SEE SHEET 1	



UNLESS OTHERWISE SPECIFIED:		DRAWN BY: DELTUF	DATE: 2/85
TOLERANCES ON DIMENSIONS:		CHKD:	
X	XXX	ENGR:	
Z	Z	APPR:	
MATERIAL:	USED ON:	NEXT ASSY:	
FINISH:			

commodore

**SCHEMATIC
INTERNAL RAM
ON CPU BOARD**

SIZE D	310456	REV 2
SCALE	1/8"	SHEET 4 OF 4